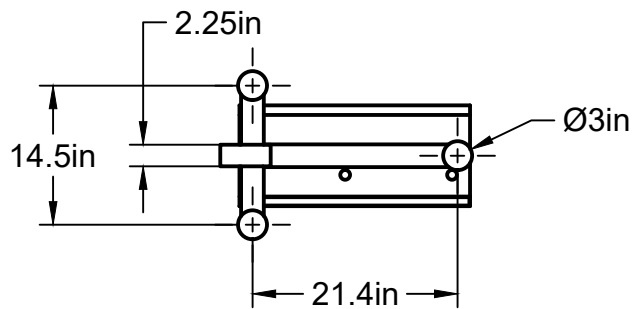
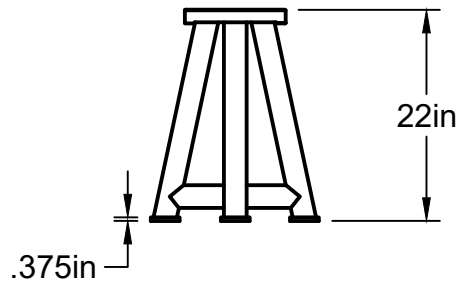
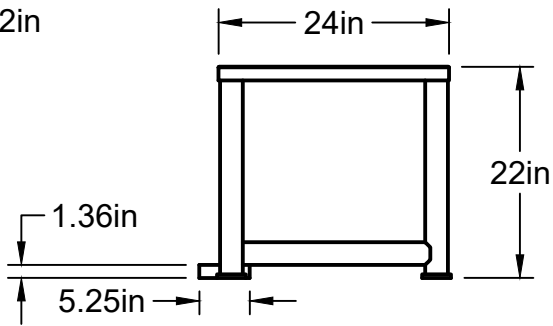
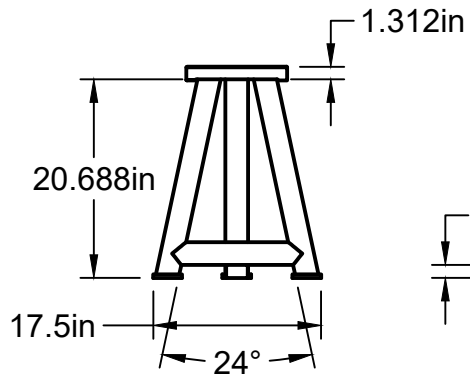
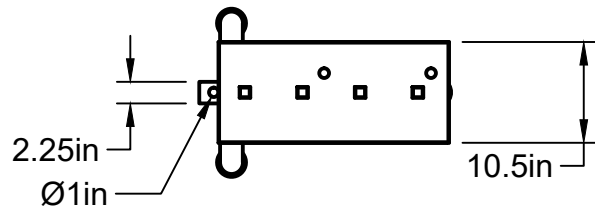
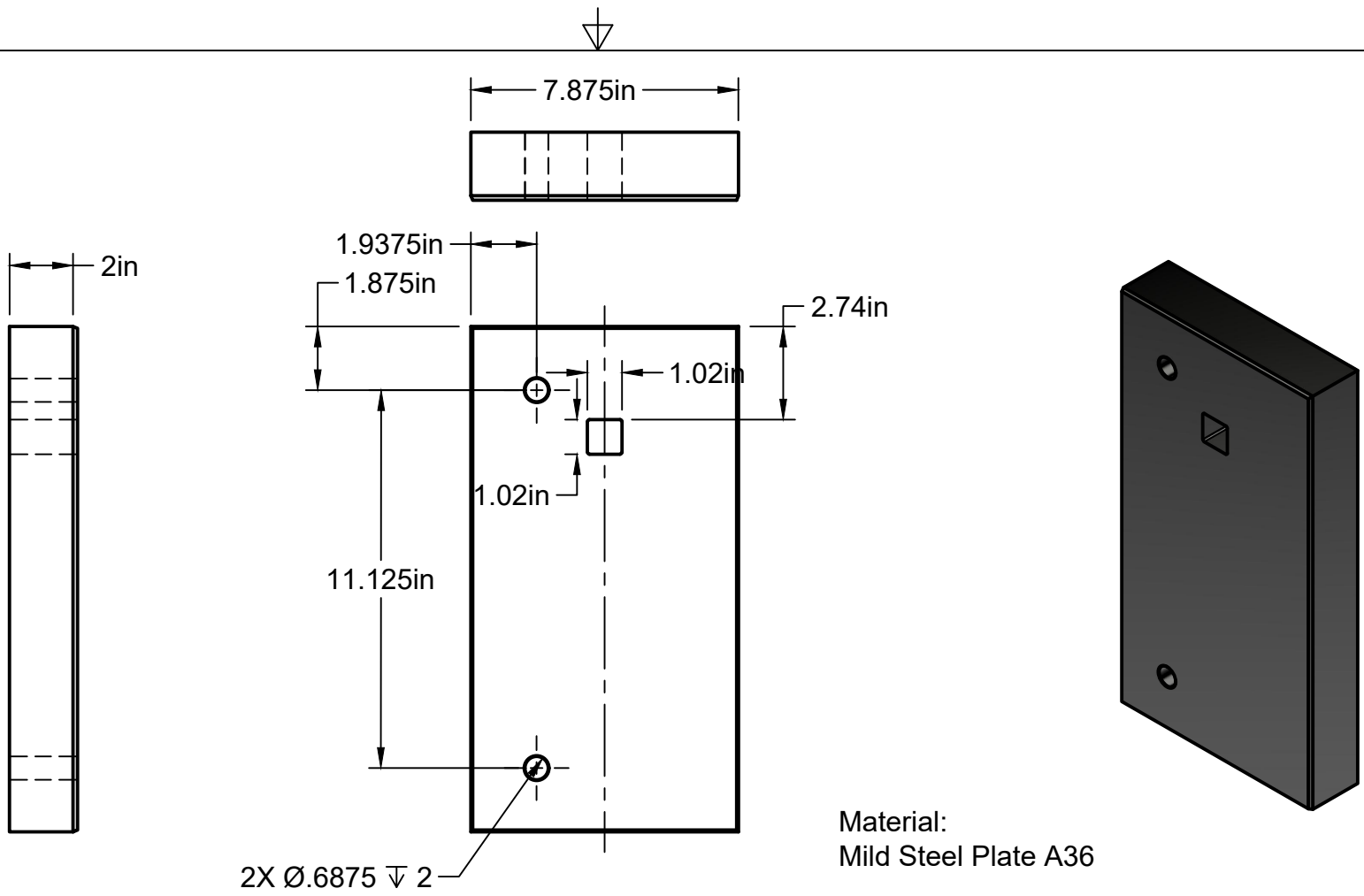


		PROJECT			
		Blacksmithing			
		TITLE			
		Leg Vise Striking Anvil Stand Overview			
APPROVED As Built	5/20/2023	SIZE	CODE	DWG NO	REV
CHECKED RTR	5/20/2023	A			A
DRAWN Randy Richard	2/12/2023	SCALE 1:20		WEIGHT	SHEET 1/6

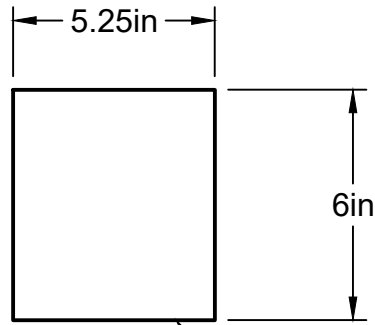
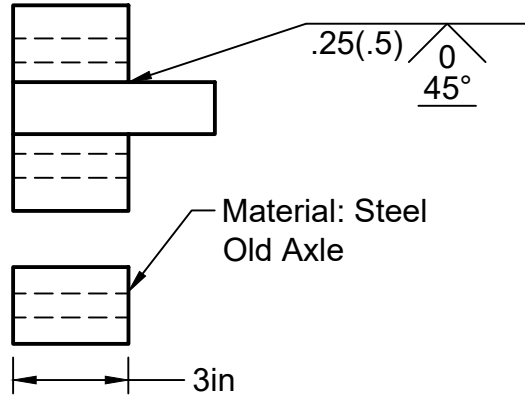
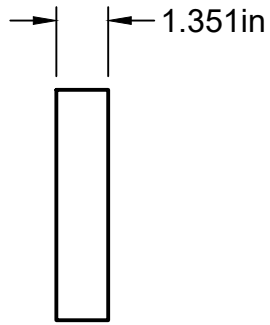
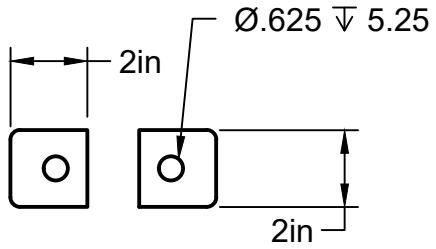


		PROJECT			
		Blacksmithing			
		TITLE			
		Leg Vise Striking Anvil Stand Base			
APPROVED As Built	5/20/2023	SIZE	CODE	DWG NO	REV
CHECKED RTR	5/20/2023	A			A
DRAWN Randy Richard	2/12/2023	SCALE 1:20		WEIGHT	SHEET 2/6



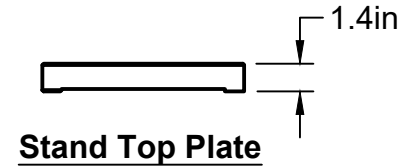
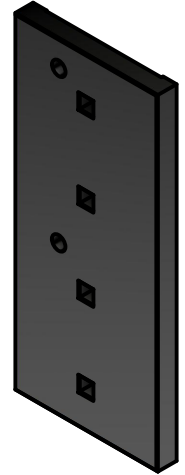
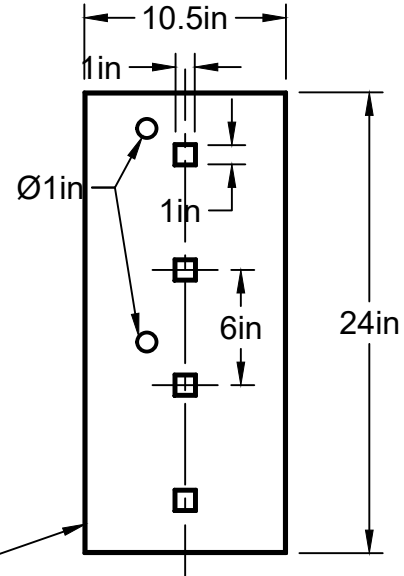


	PROJECT			
	Blacksmithing			
APPROVED As Built 5/20/2023 CHECKED RTR 5/20/2023 DRAWN Randy Richard 2/12/2023	TITLE			
	Leg Vise Striking Anvil Stand			
	Striking Anvil			
	SIZE	CODE	DWG NO	REV
	A			A
	SCALE 1:20	WEIGHT	SHEET 3/6	



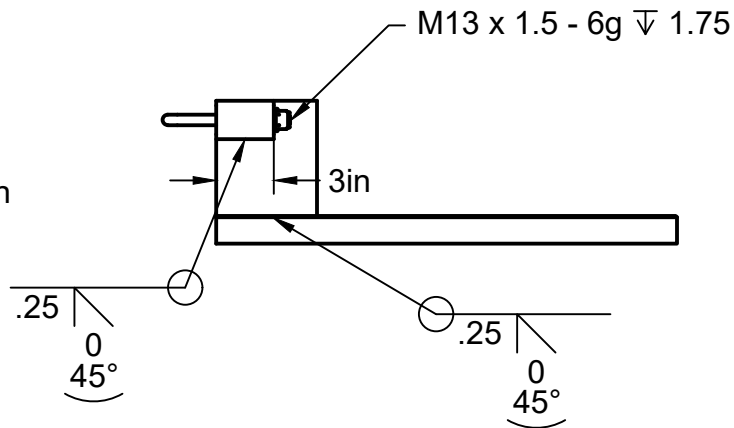
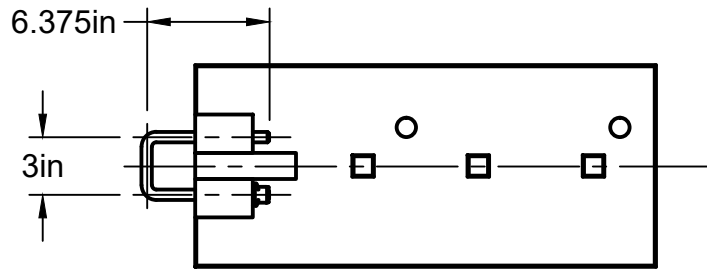
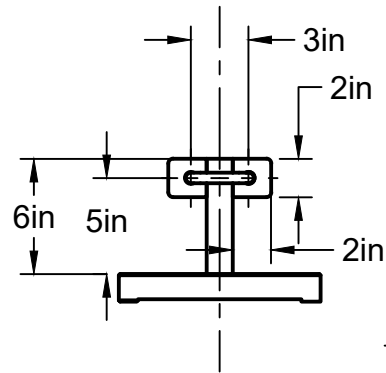
Vise Mount Plate

Material:
Grader Cutting Edge
AR 400 or 500 Steel

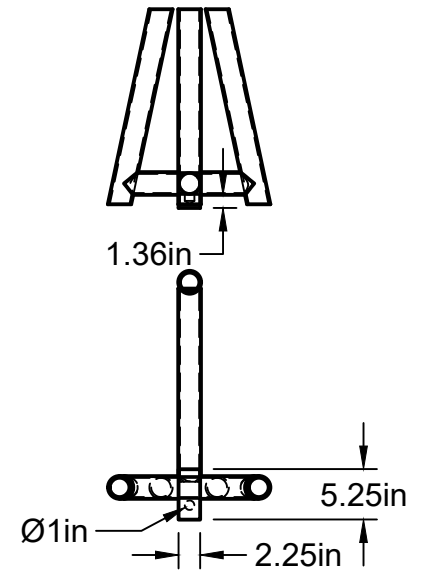


Stand Top Plate

		PROJECT			
		Blacksmithing			
		TITLE			
		Leg Vise Striking Anvil Stand Vise Mount / Top Plate			
APPROVED As Built	5/20/2023	SIZE	CODE	DWG NO	REV
CHECKED RTR	5/20/2023	A			A
DRAWN Randy Richard	2/12/2023	SCALE 1:20	WEIGHT	SHEET 4/6	



Material:
U-Bolt from Toyota Tacoma



Vise Foot

Material:
Steel



PROJECT

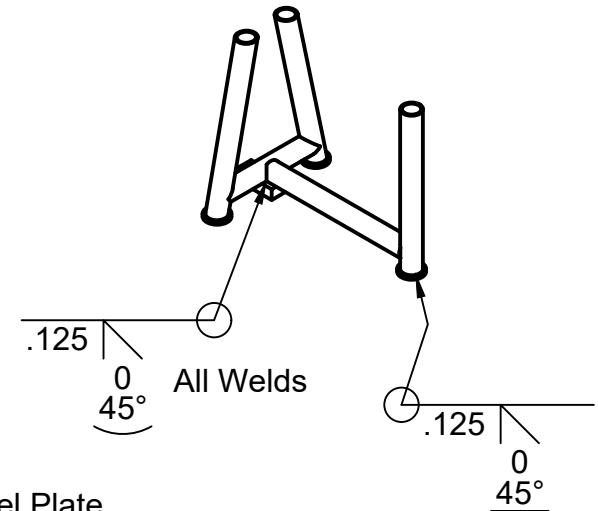
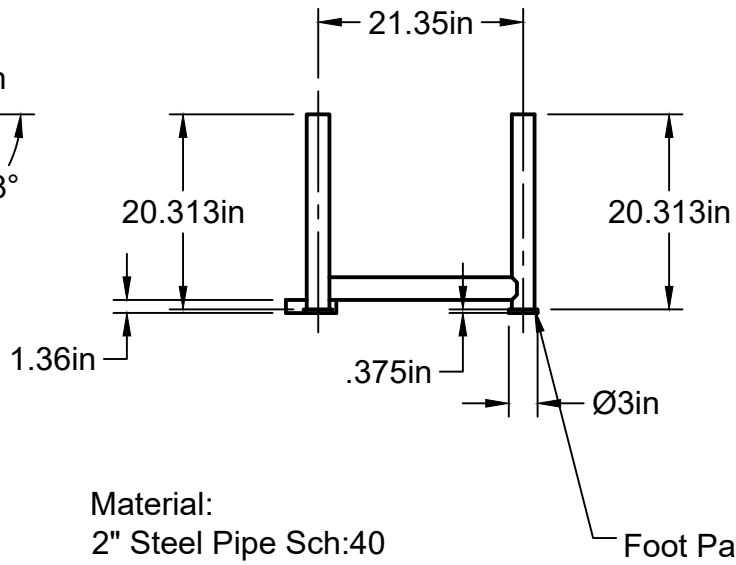
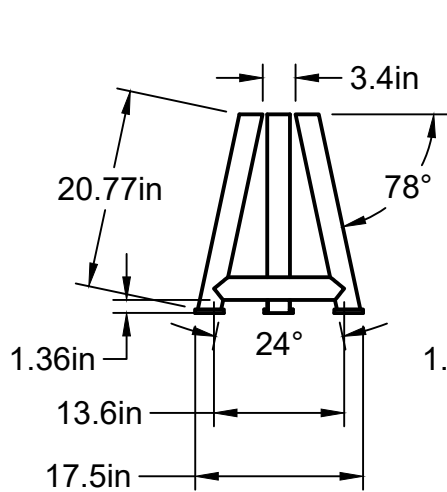
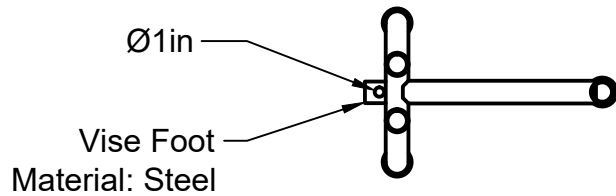
Blacksmithing

TITLE

Leg Vise Striking Anvil Stand
Vise U-Bolt Mounting

APPROVED	As Built	5/20/2023
CHECKED	RTR	5/20/2023
DRAWN	Randy Richard	2/12/2023

SIZE	CODE	DWG NO	REV
A			A
SCALE	1:20	WEIGHT	SHEET 5/6



		PROJECT			
		Blacksmithing			
APPROVED As Built 5/20/2023 CHECKED RTR 5/20/2023 DRAWN Randy Richard 2/12/2023		TITLE			
		Leg Vise Striking Anvil Stand Legs			
		SIZE	CODE	DWG NO	REV
		A		A	
		SCALE 1:20	WEIGHT	SHEET 6/6	