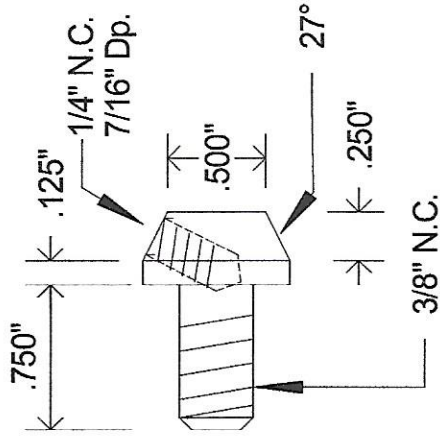
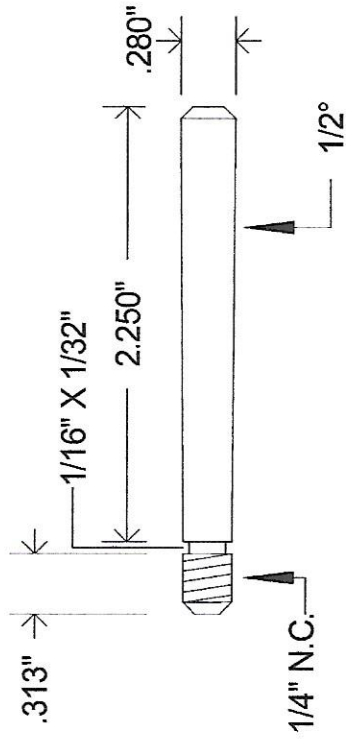


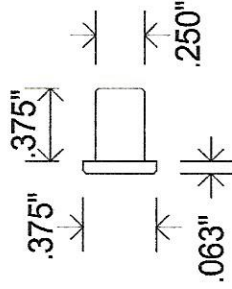
Bolt - 1018 Steel
 .750" Rd. X 1.125" Long
 Oil Blackened



Handle - 1018 Steel
 .312" Rd. X 2.625" Long
 Oil Blackened



Locating Pins - 1018 Steel
 .375" Rd. X .437" Long
 Oil Blackened - 2 Req.



Locating Pin - 1018 Steel
 .500" Rd. X .625" Long
 Oil Blackened

