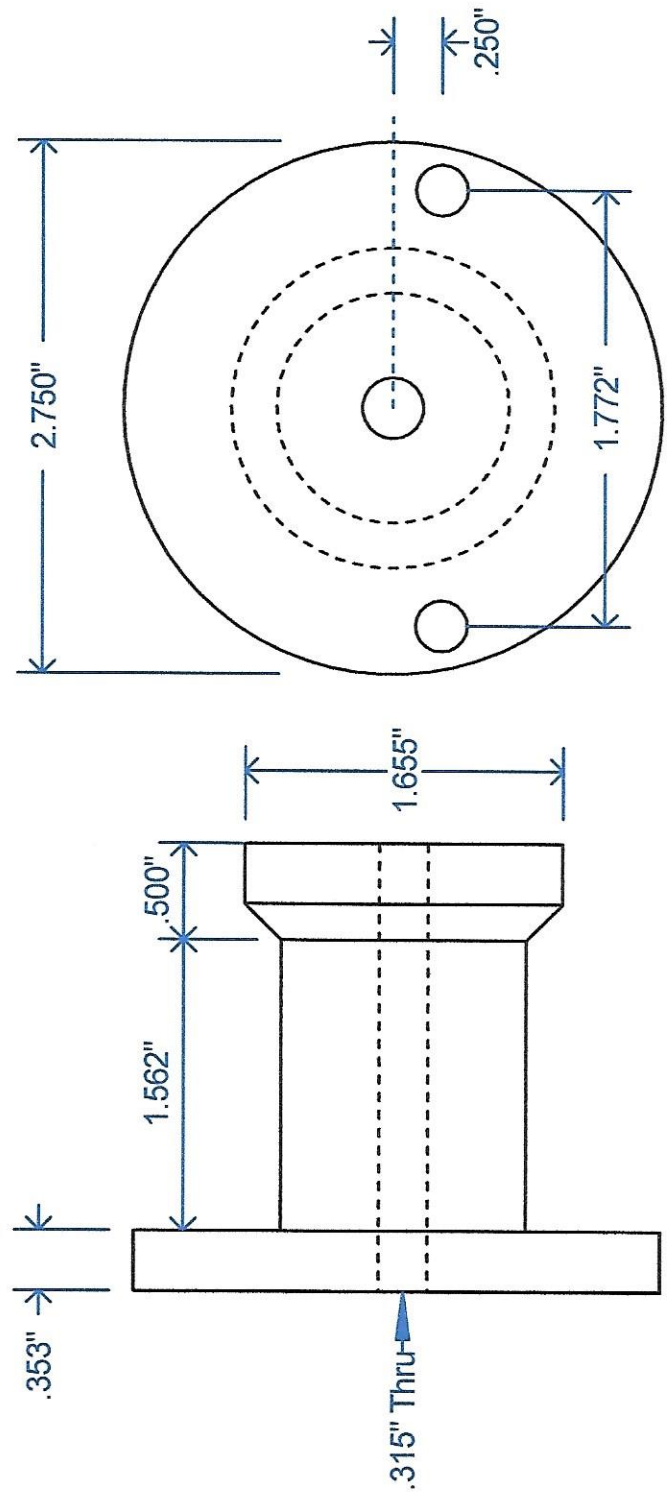


Cross Feed Screw Bearing Housing - 6061 Alum. 1.750" Rd. 2.415" Long

This drawing is showing the part as it would look after machining in the lathe



This drawing is showing the part as it would look after it has been milled

