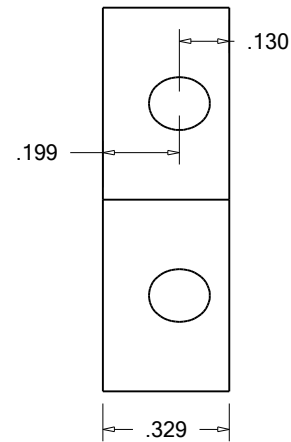
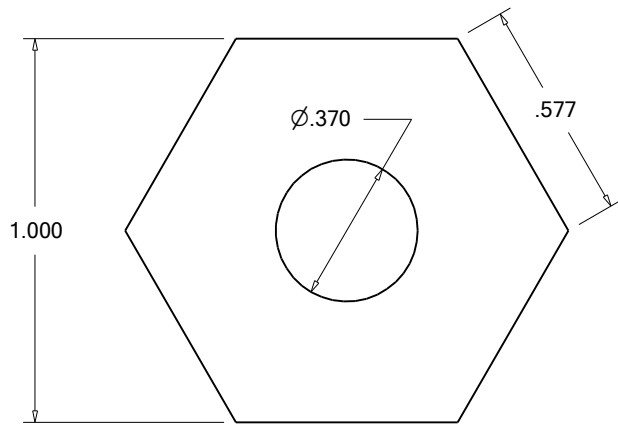
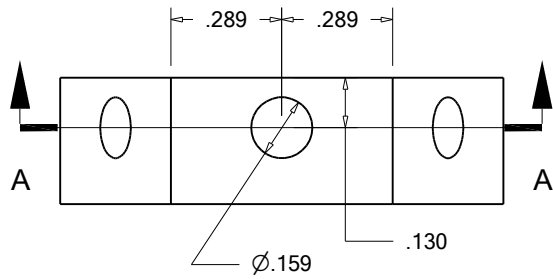


Section A-A



Designed for the Sherline 3 Jaw chuck.
 Make 3 each for a complete set.
 All .159 holes tapped 10-32.
 Only one setscrew is required.
 Set screws are not centered in order to
 fit the small sherline jaws.
 6 corners allow for 6 different holding diameters.