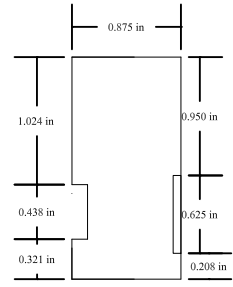
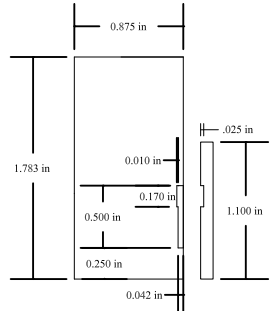


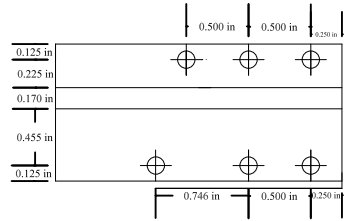
Top



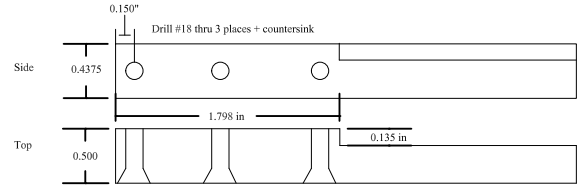
Back end



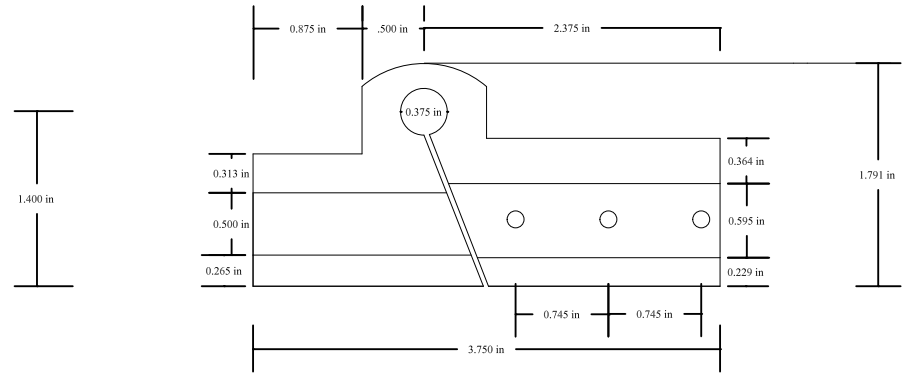
Front end



Parting tool retaining plate



Key for attachment to the QCTP



Parting tool left side