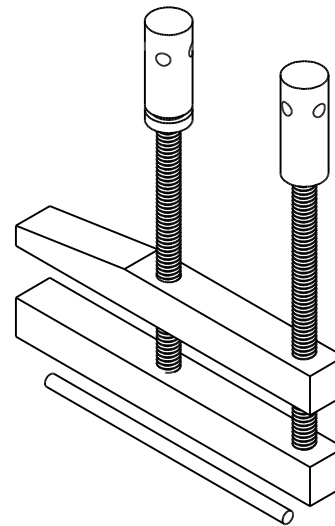
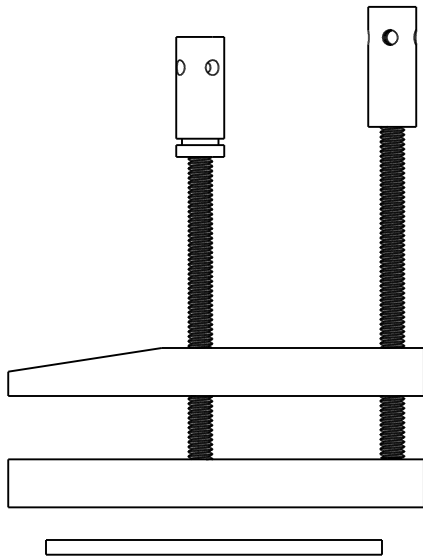


Item Number	Quantity	Part Number	Part Name	Revision	Comment
1	1		ClampBottom3_5inch		
2	1		ThumbKnob_3_5_Plain		
3	1	1/4-20 AllTread_4inLongFT	1_4-20 AllTread_4inLongFT_3_5		
4	1		ThumbKnob_3_5_Ringed		
5	1	1/4-20 AllTread_4inLongFT	1_4-20 AllTread_4inLongFT_mod		
6	1		Tommy_3_5clamp		
7	1		ClampTop3_5inch		



Clamp3_5
Clamp3_5Assy
02/05/2025 JR