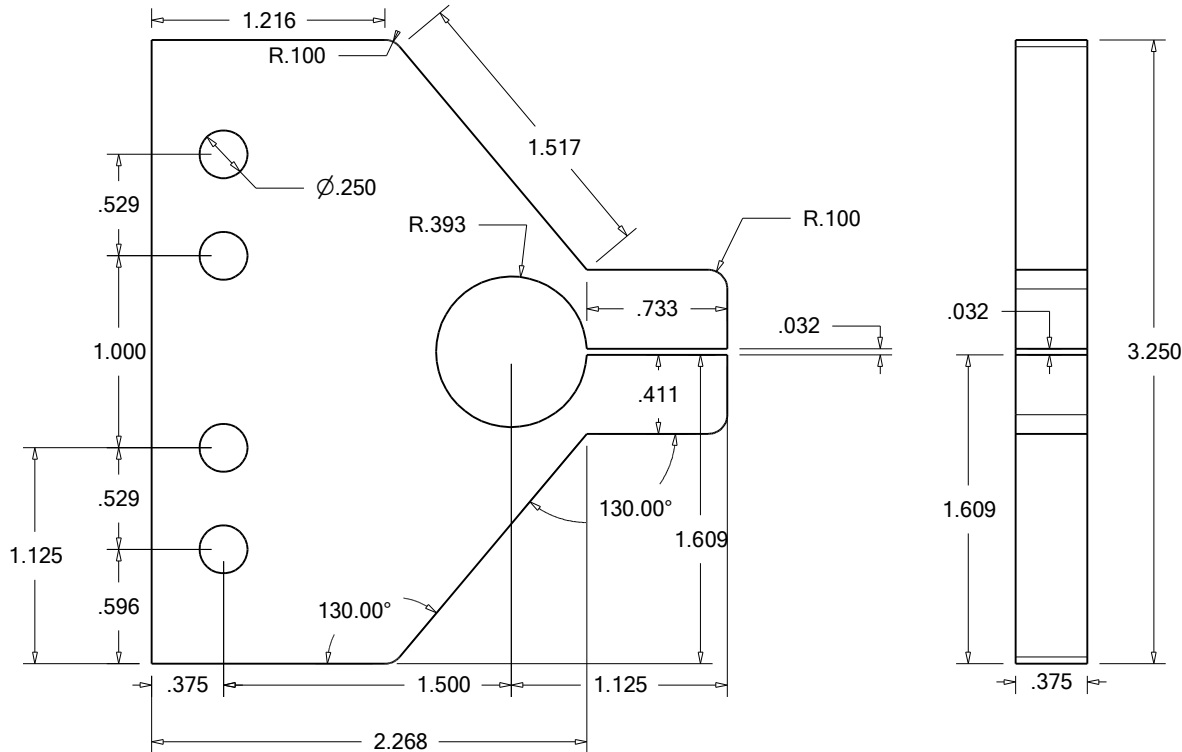


Section A-A



Proxxon Variable Speed Rotary Tool Base.
 Made from T6061-T6 aluminum.
 Center hole for close fit to Hand Grinder Nose.
 One 1/4-20 x 7/8 long SHCS to retain Grinder.
 Only one threaded hole of .201 inch.

Tap_Drill_Stand	
DrillPlateMaster	
03/08/2025	JR