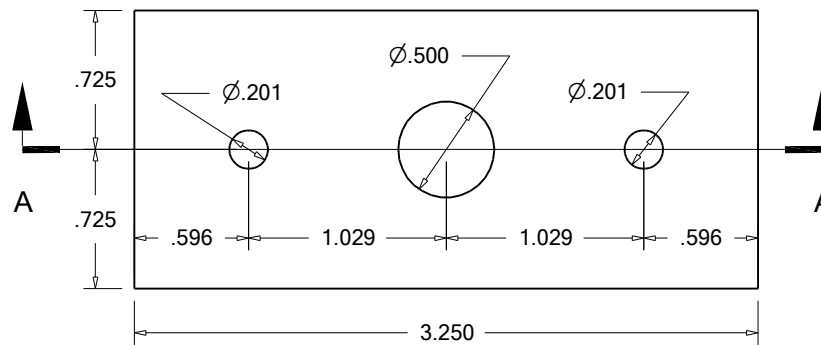
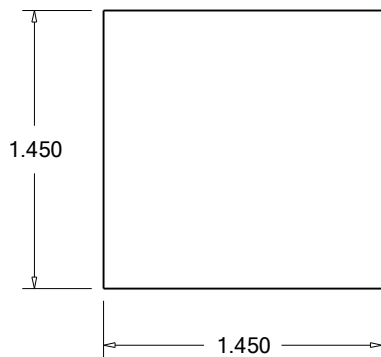


Section A-A



Tapping head is Aluminum T6061-T6.  
 .201 holes are tapped 1/4-20

Tap_Drill_Press
TappingHead
03/08/2025 JR