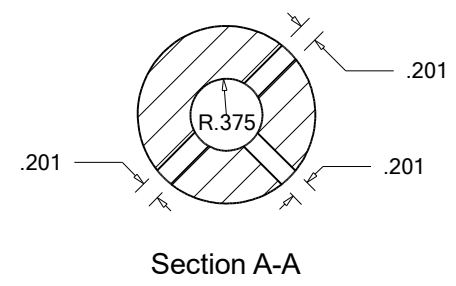
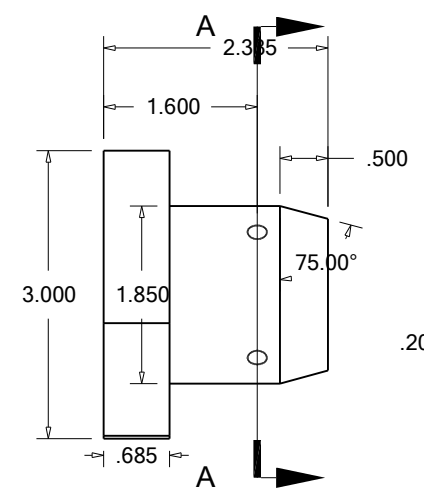
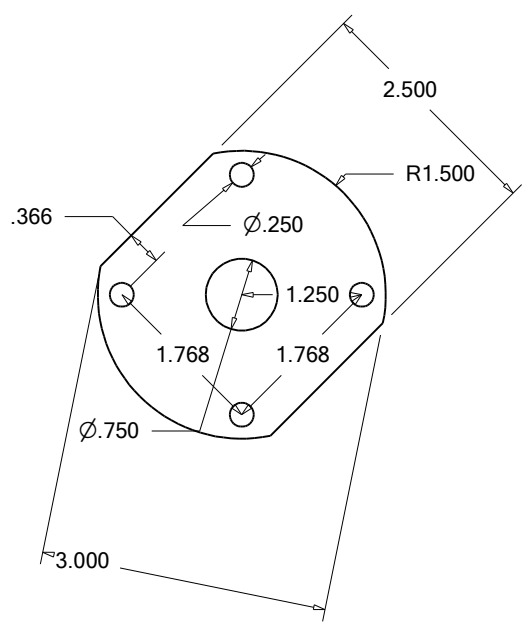


This is one of three 1/4-20 threaded holes.
 Drill .201 and thread 1/4-20 in three places.
 ThumbScrewVertical fit here. Could also just
 use SHCS 3/4 inch long



Tap_Drill_Stand
VertShaftMount
03/08/2025
JR